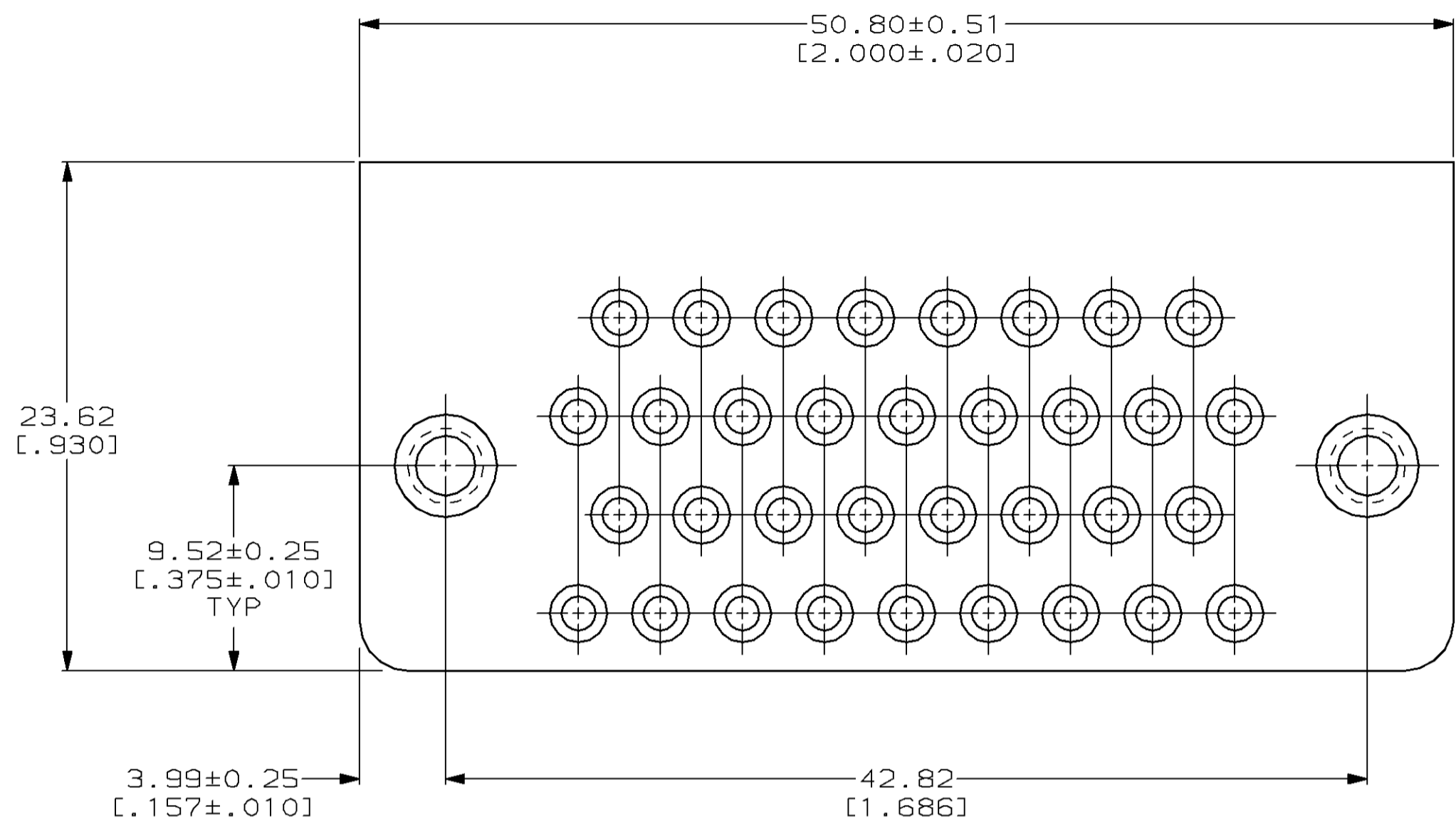
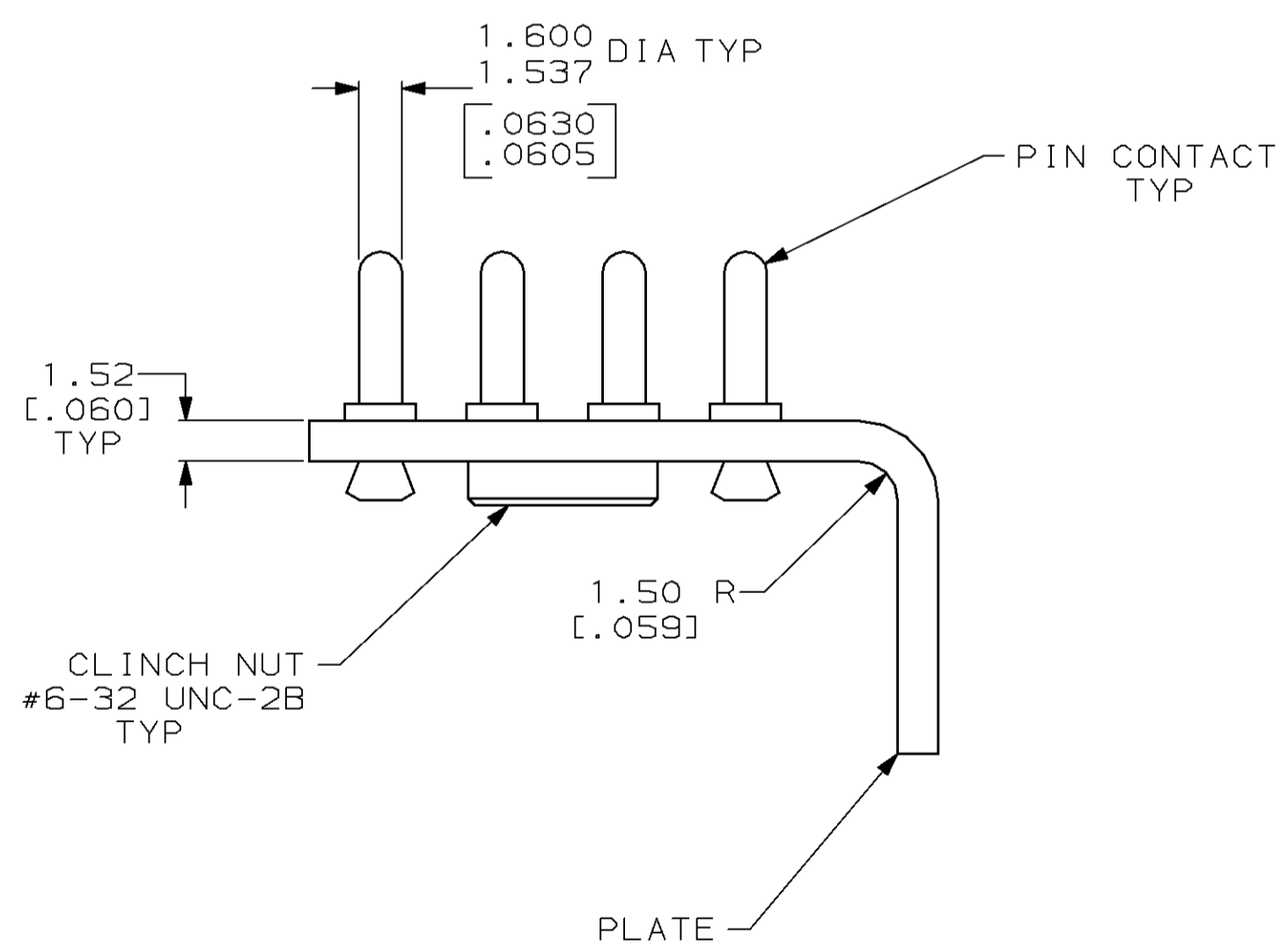
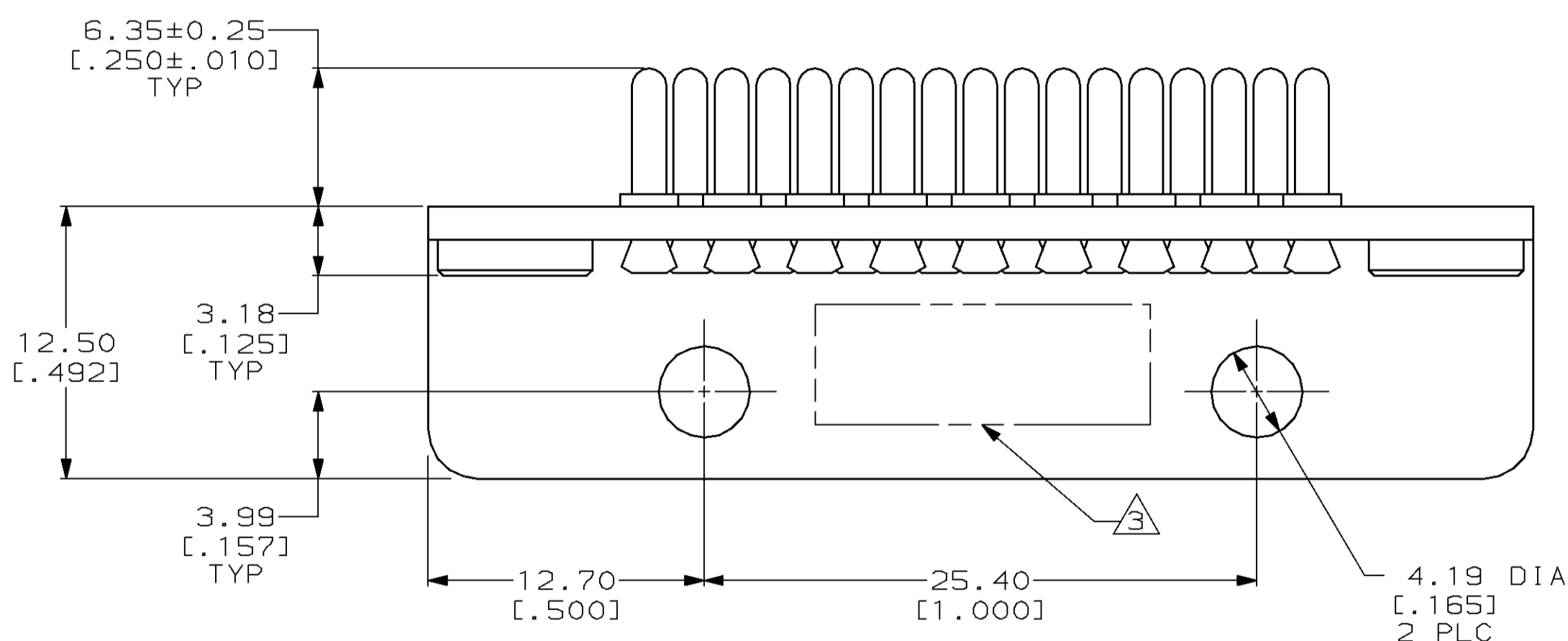


THIS DRAWING IS UNPUBLISHED. RELEASED FOR PUBLICATION
 © COPYRIGHT 19 BY AMP INCORPORATED. ALL RIGHTS RESERVED.

Loc		DIST		REVISIONS			
P	LTR	DESCRIPTION	DATE	DWN	APVD		
FT	8	B	REDRAWN W/O CHANGE PER EC 0020-292-96	06 AUG 96	-	-	-



- ① PIN CONTACT: BRONZE
PLATE: BRASS
CLINCH NUT: STAINLESS STEEL
- ② PIN CONTACT: 0.76µm [.000030] MIN GOLD OVER
1.27µm [.000050] MIN NICKEL.
PLATE: 3.81µm [.000150] MIN TIN OVER
1.27µm [.000050] MIN NICKEL.
CLINCH NUT: PASSIVATED
- ③ AMP, PART NO & DATE CODE STAMPED IN THIS AREA ON OPPOSITE SIDE.



204814-1
PART NUMBER

THIS DRAWING IS A CONTROLLED DOCUMENT.		DWN B. CARBO 06 AUG 96	AMP Incorporated Harrisburg, PA 17105-3608
DIMENSIONS: mm [INCHES]		CHK R. STONE 08 AUG 96	
TOLERANCES UNLESS OTHERWISE SPECIFIED:		APVD G. STEINHAUER 22 AUG 96	
0 PLC ±- 1 PLC ±- 2 PLC ±0.13 [.005] 3 PLC ±- 4 PLC ±- ANGLES ±- FINISH ±-		NAME GROUNDING CONNECTOR ASSEMBLY, 34 POSITION, M SERIES SIZE A2 CAGE CODE 00779 DRAWING NO C-204814	
MATERIAL ①	FINISH ②	PRODUCT SPEC -	SCALE 4:1
		APPLICATION SPEC -	SHEET 1 OF 1
		WEIGHT -	REV B
		CUSTOMER DRAWING	